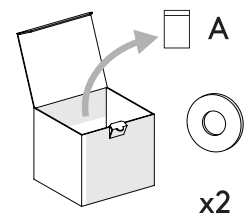
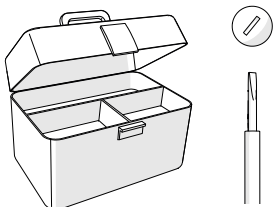
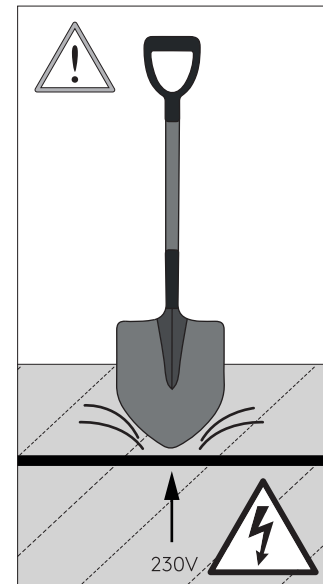
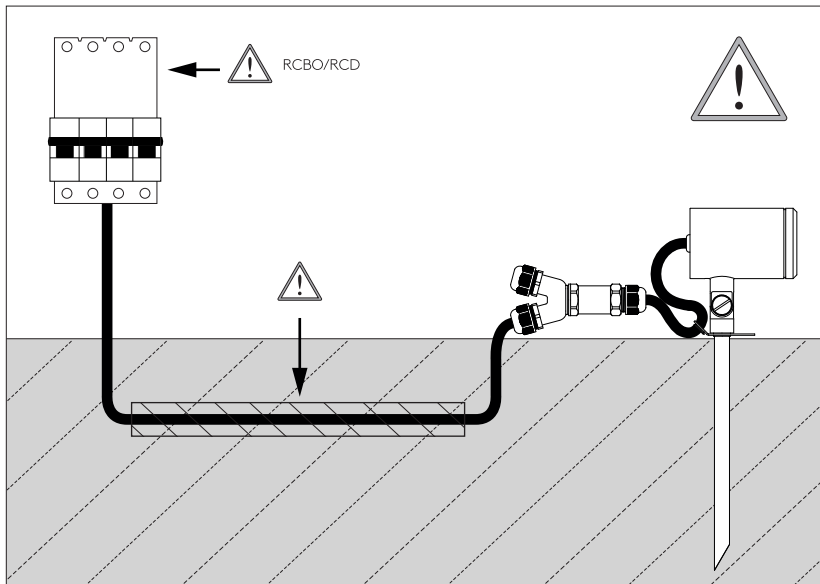
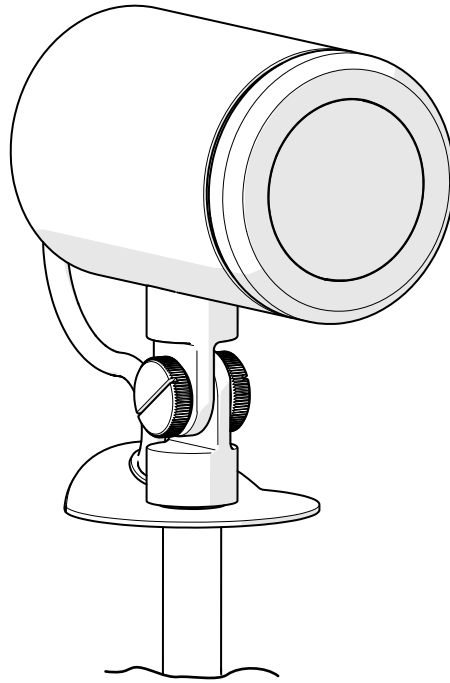
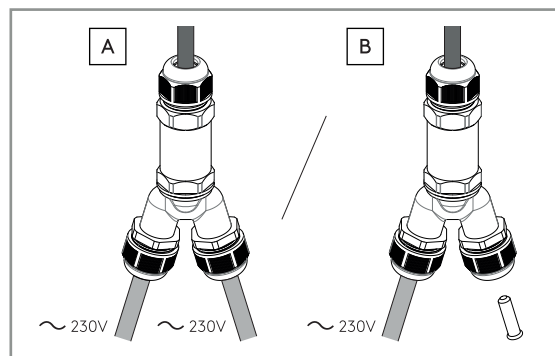
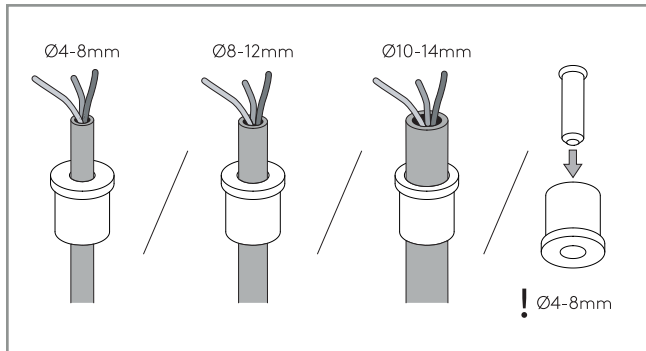
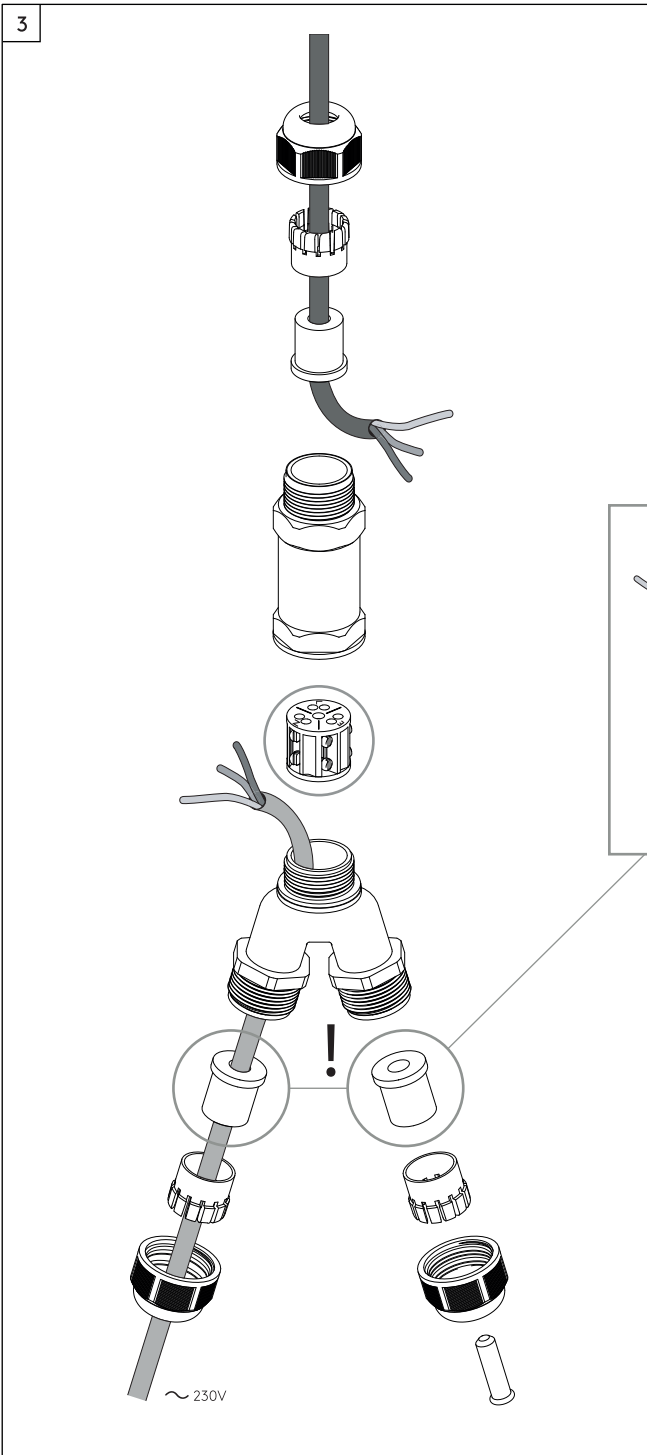
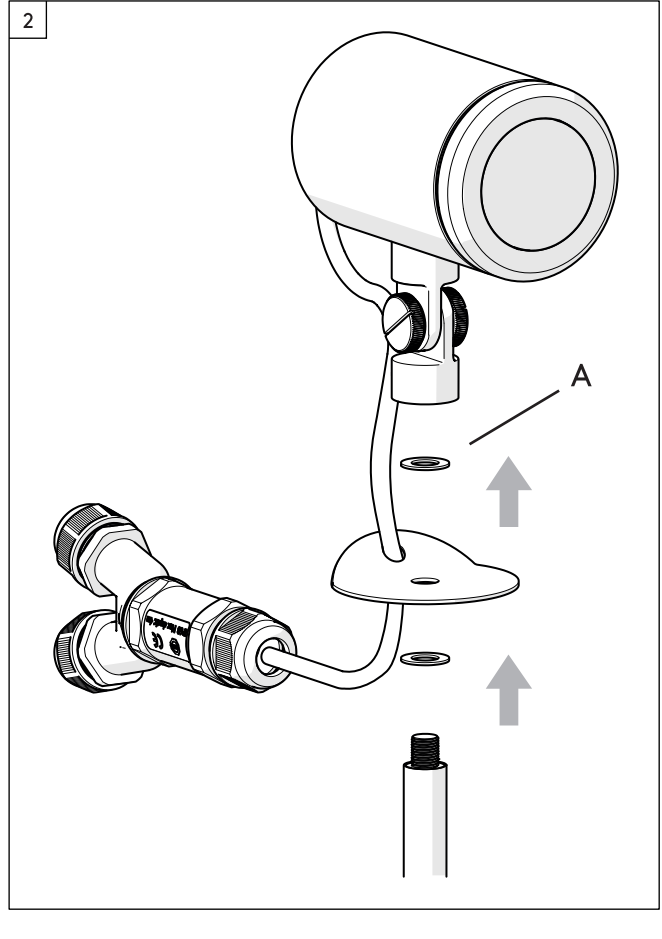
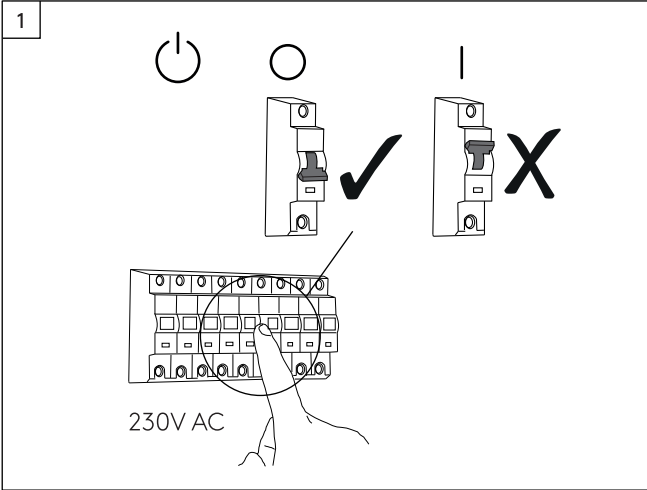


Jura Spike Spot

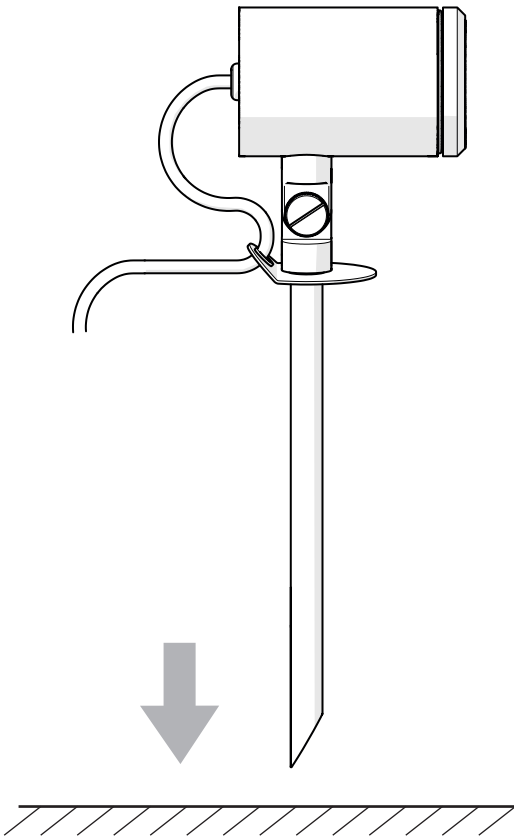
astro





4

A

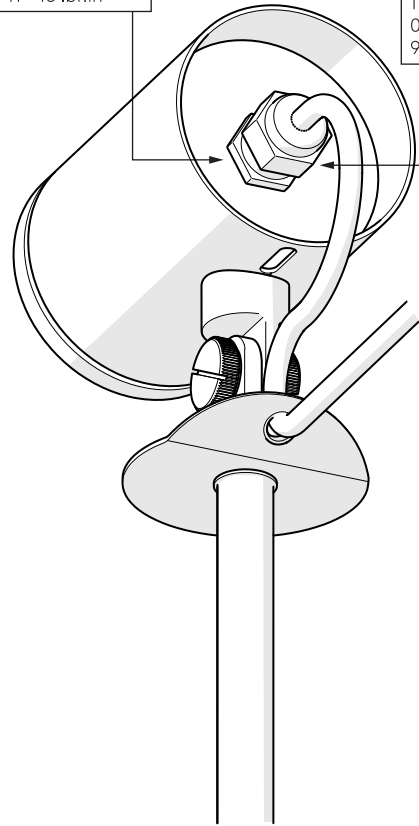


B

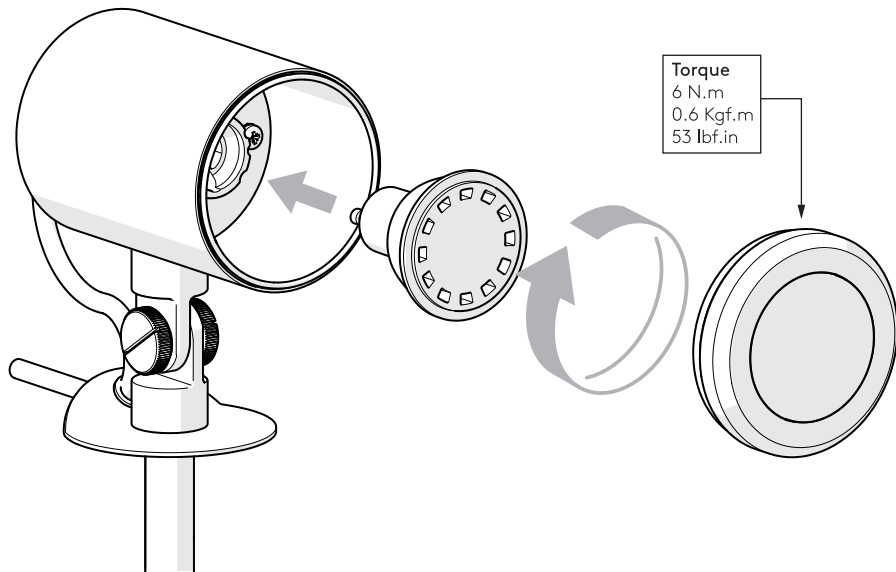


Torque:
1.2–1.8 N.m
0.12–0.18 Kgf.m
11–16 lbf.in

Torque:
1–2 N.m
0.1–0.2 Kgf.m
9–18 lbf.in



5



Torque
6 N.m
0.6 Kgf.m
53 lbf.in