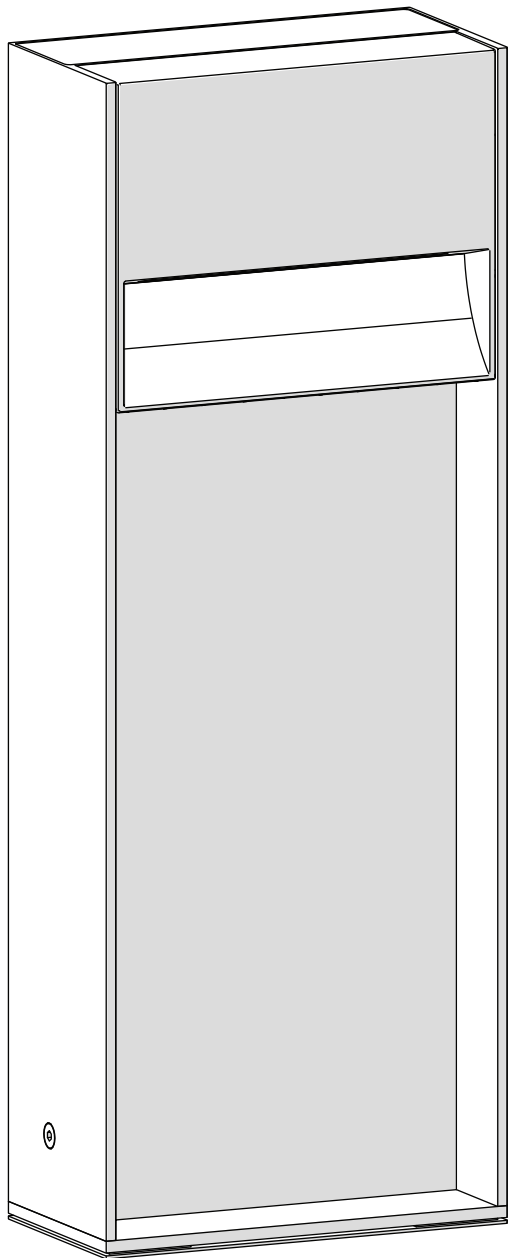


Mori Bollard

astro

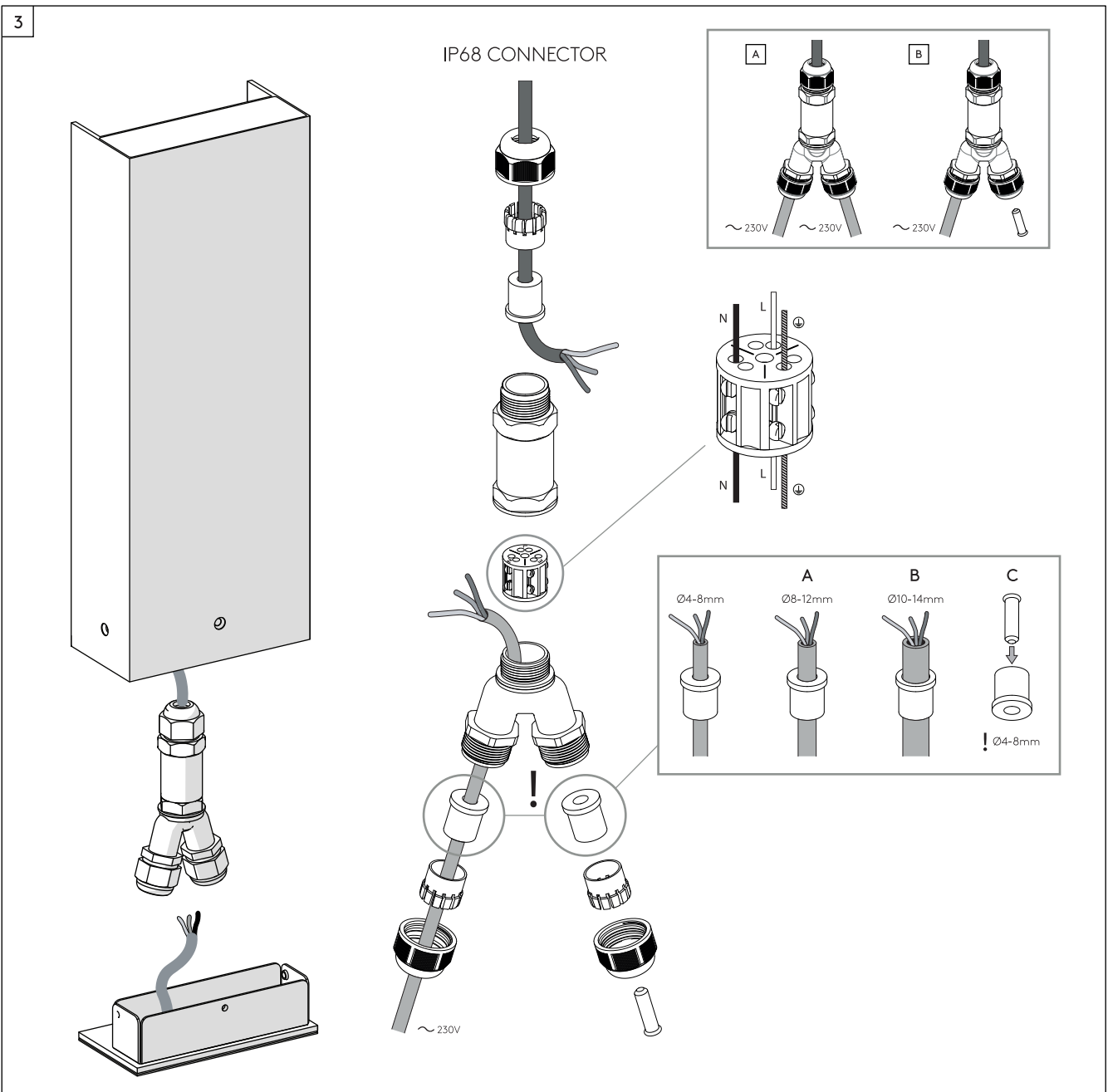
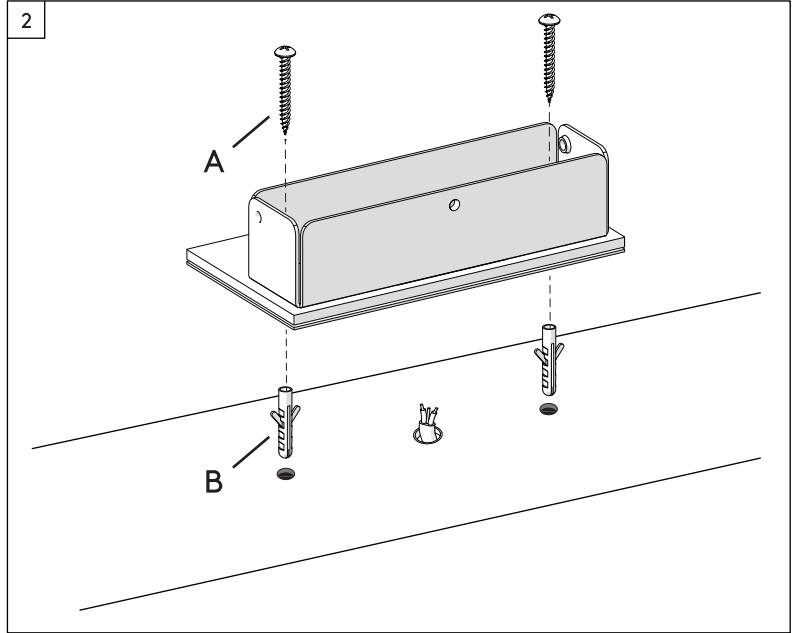
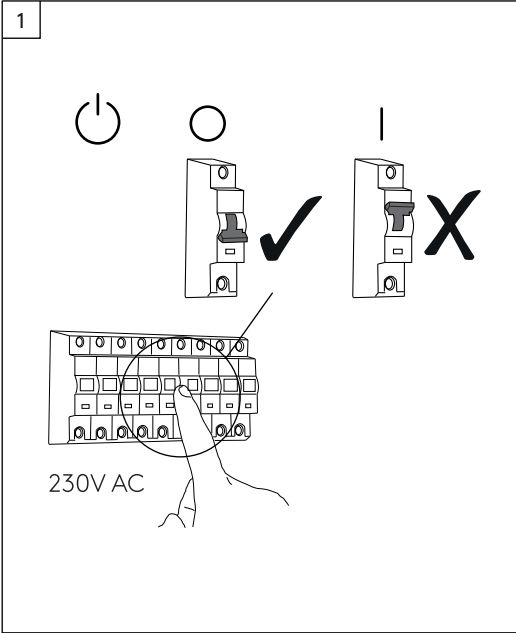


Tools and components for assembly:

- Toolbox
- Drill
- Drill bit (marked with an 'X')
- Marker
- Step 1: Box assembly
- Step 2: Box assembly

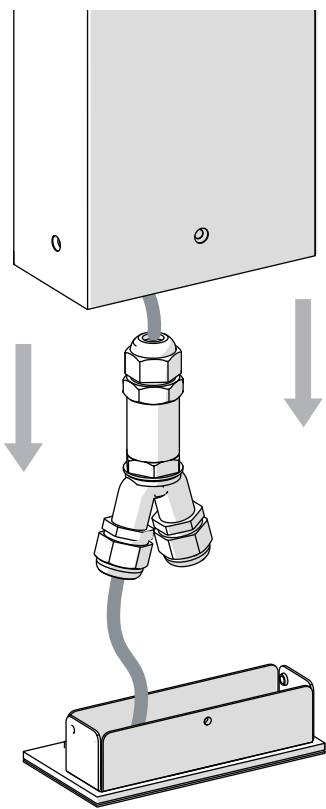
Step	Component	Quantity
1	A (Screw)	x2
	B (Bracket)	x2
	C (Washer)	x2
	D (Hex key)	x1
2	A (Cap)	x2
	B (Cap)	x2
	C (Cap)	x1

Cap diameters: Ø8-12mm, Ø10-14mm

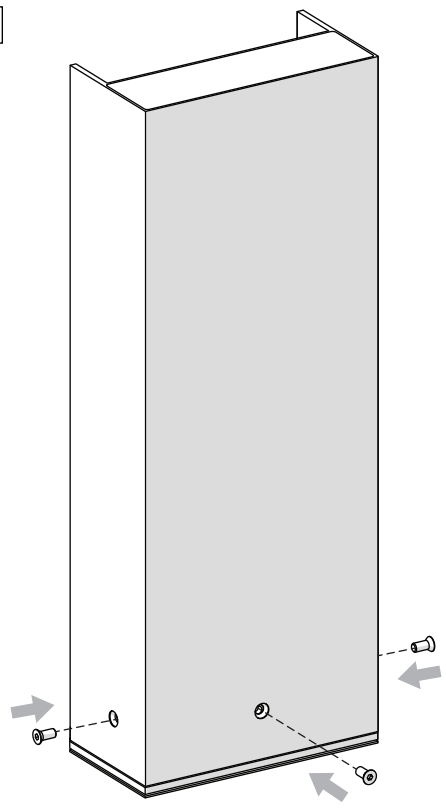


4

A

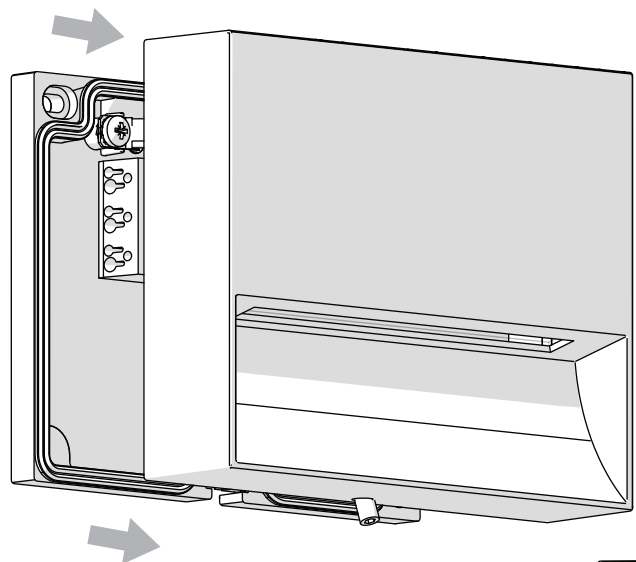


B

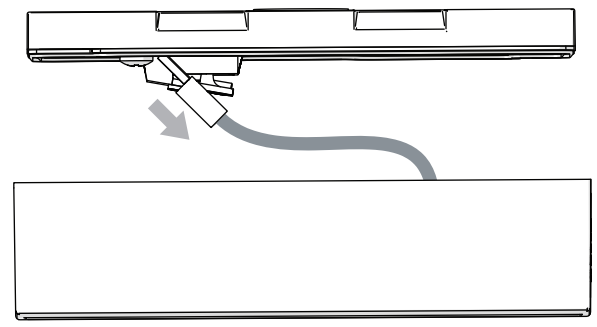


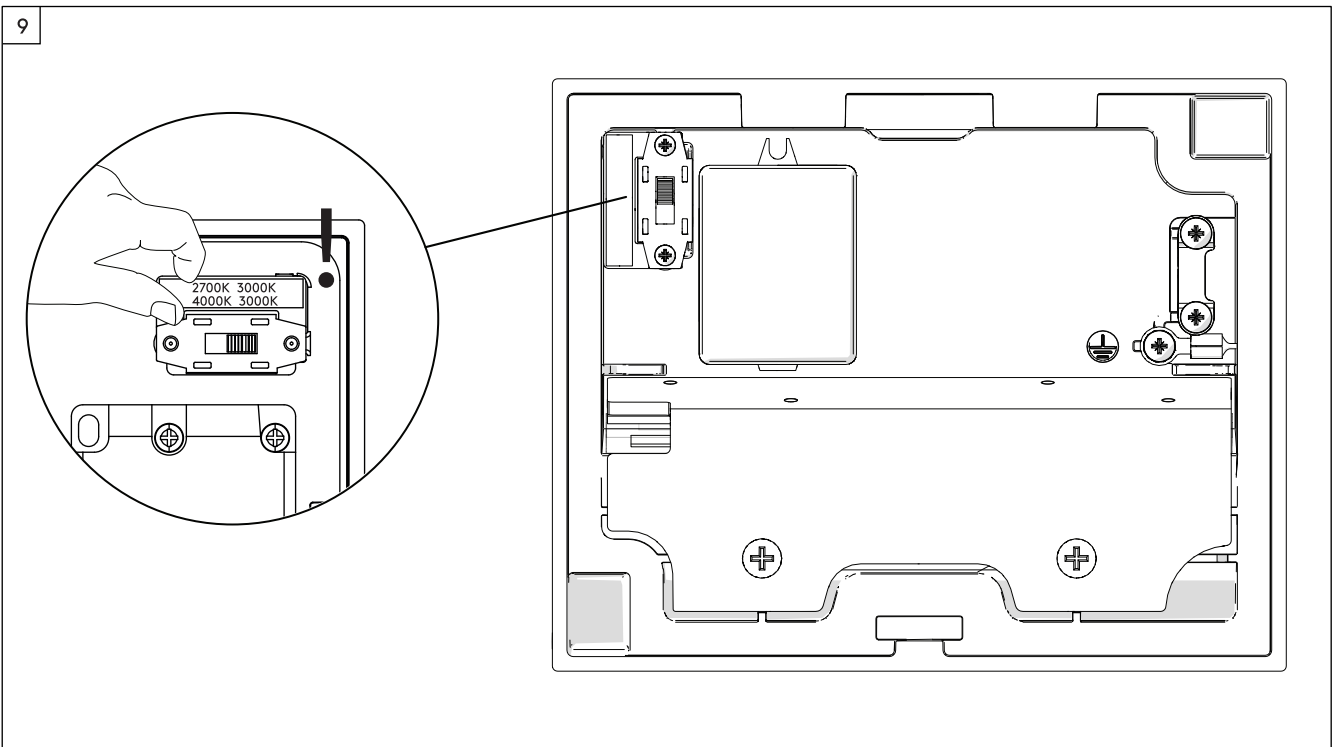
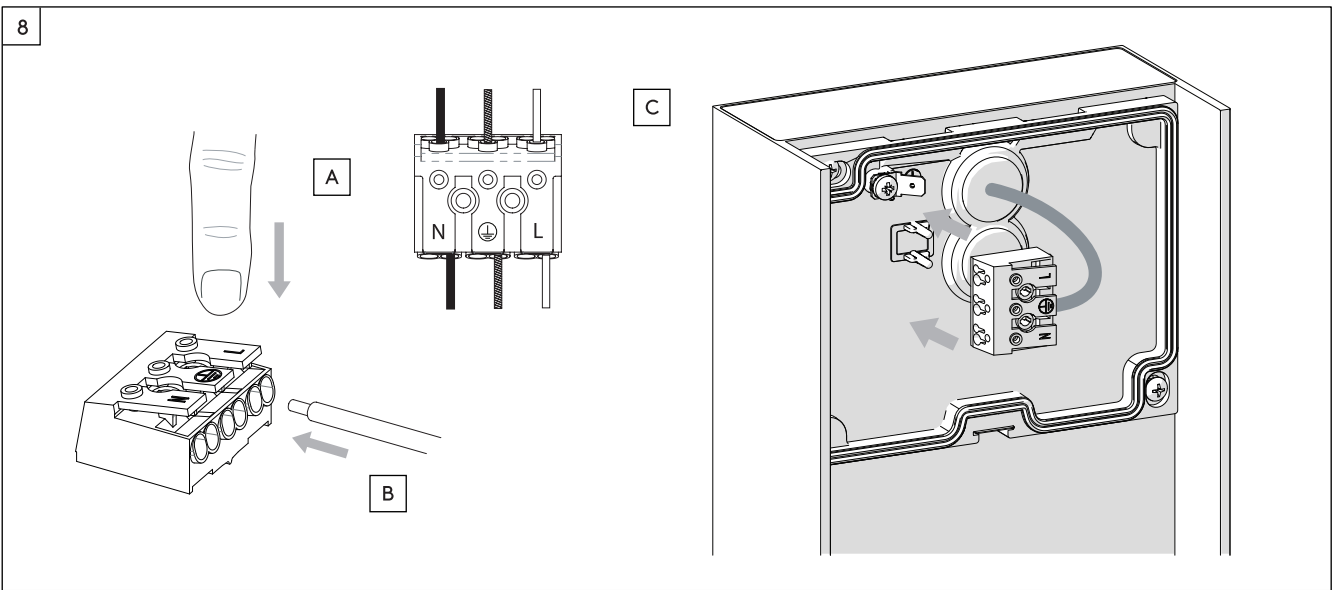
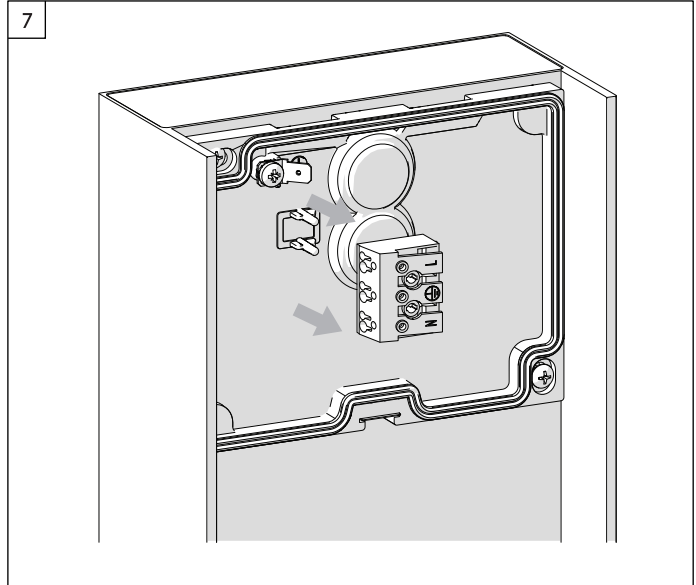
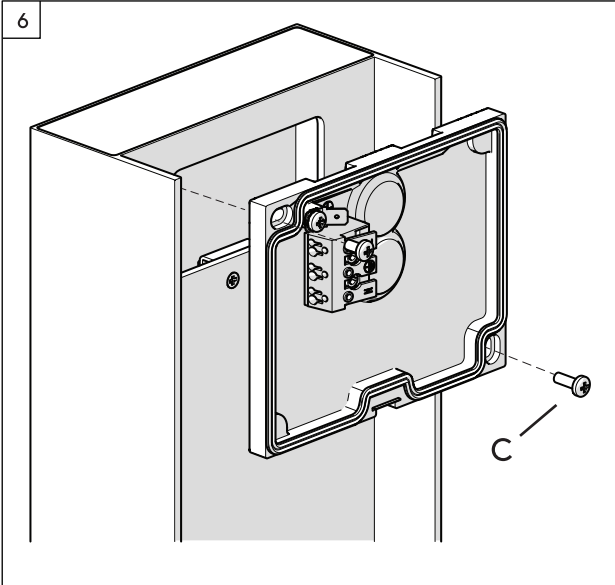
5

A

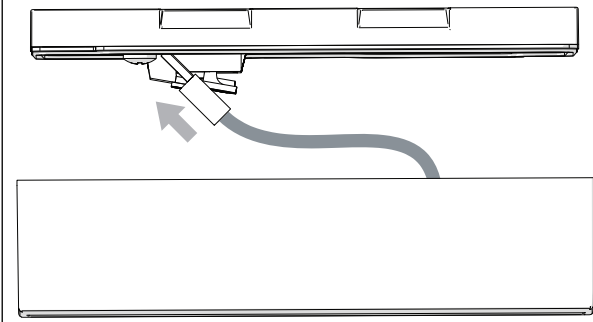


B

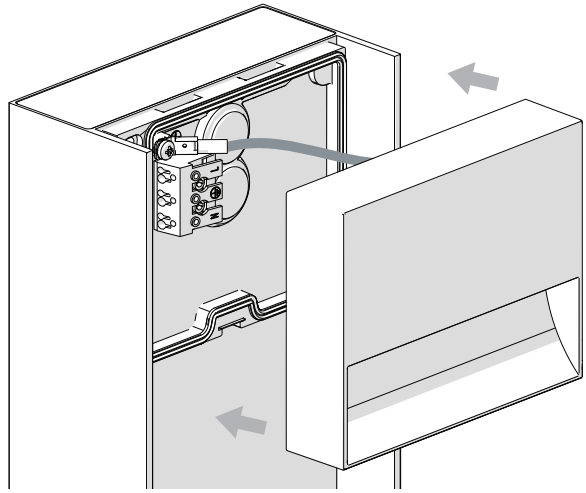




10



11



12

